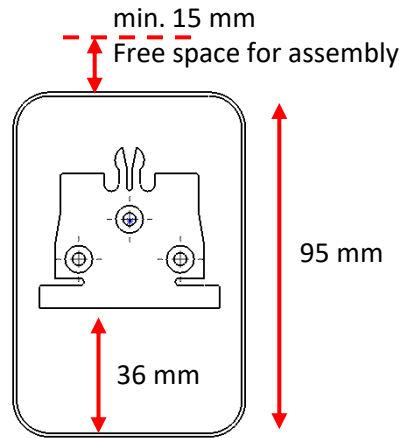




3008
CONTROL PANEL

Cable can be connected in surface mount or trough hole.

SURFACE :



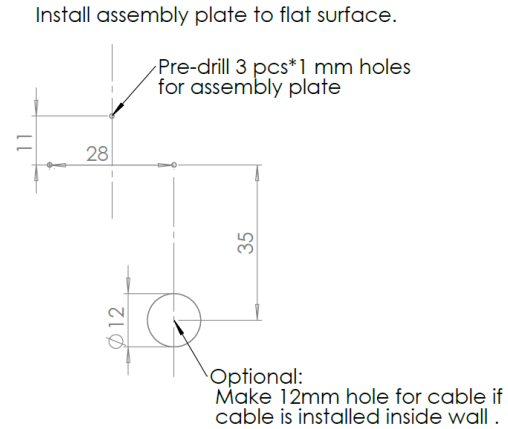
Install assembly plate. Pre drill 3*1 mm holes for screws.

Cut the cable opening in bottom of the panel.

Slide the panel in place top-down.

Remove display protection tape.

HOLE:



Install assembly plate. Pre drill 3*1 mm holes for screws.

Drill 12 mm hole for cable .

Slide the panel in place top-down.

Remove display protection tape.



Cable connection.

Please note that cable connector release pin is as in picture, when connecting cable into panel.

(there is silent click sound when connected)



Cable release.

Press connector release clip. see in picture , before pulling the cable off.