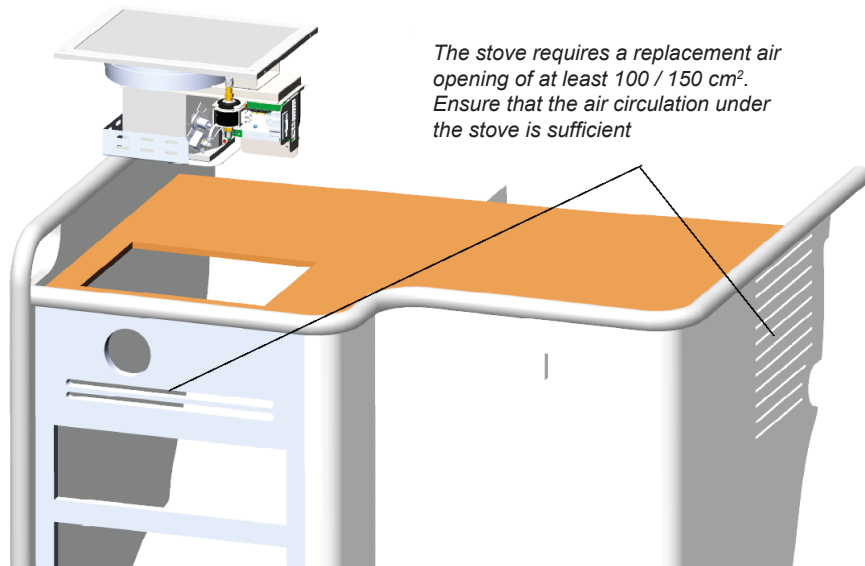


**Stove installation**

Saw a cut-out (see picture) for the stove and the control panel in your chosen location.

The length of the control panel cable is 3 m.

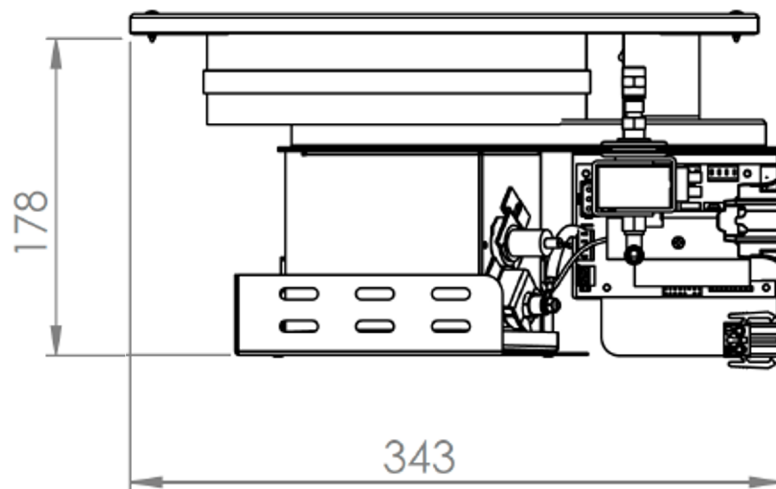


*You can also fabricate a detachable panel to go in front of the stove. This will facilitate installation and maintenance.*

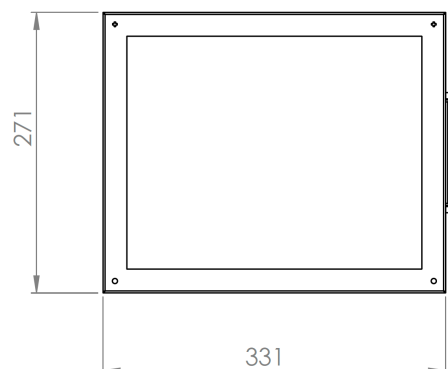
*Ensure that there is sufficient space under the stove for cables and hoses.*

*The control panel should be installed on a vertical surface.*

*Dimensions of the equipment*



*Dimensions of the cooktop*

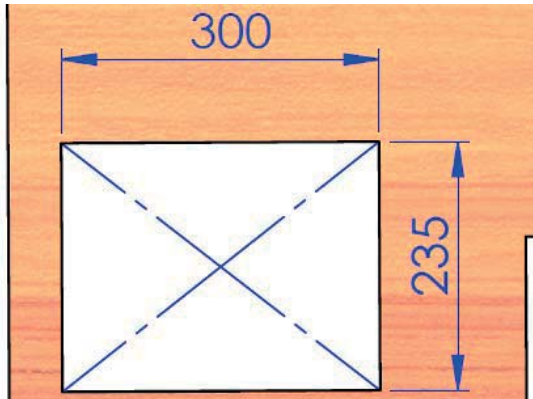


Fastening the device

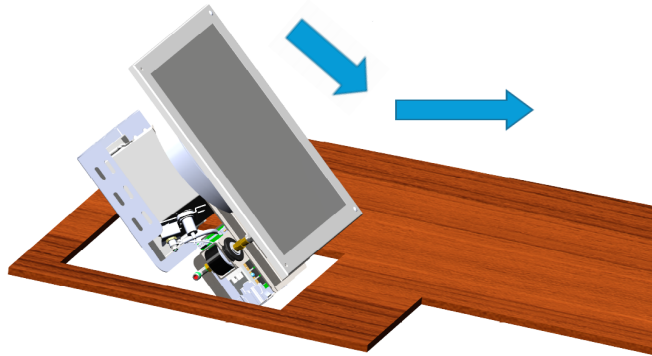


The mounting surface must withstand at least 100 °C heat.

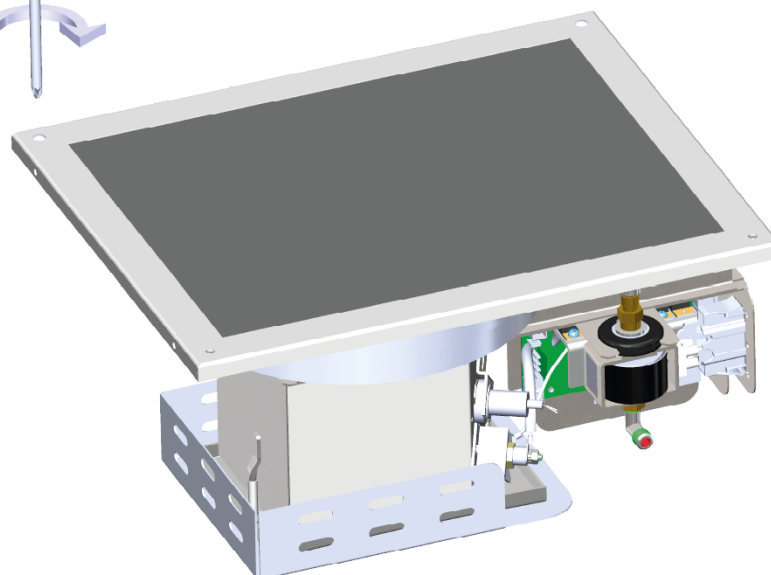
Size of mounting aperture.



Take into account total width of the equipment (see previous page), so that you would not make the aperture too close for example to the wall.



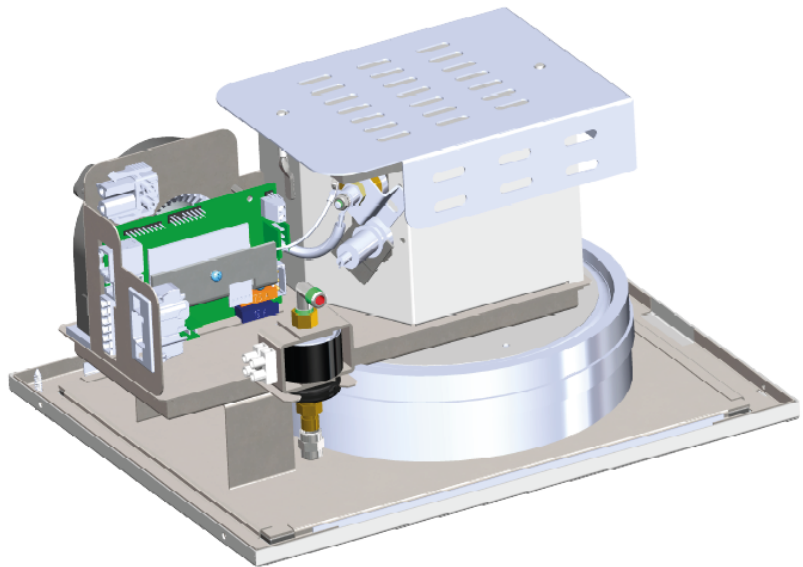
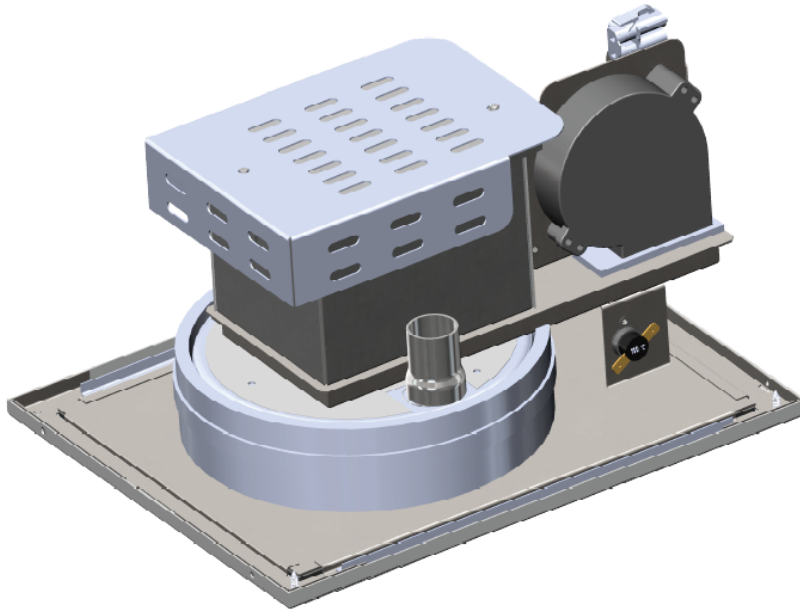
4 pcs 4,2 x 25 DIN 7981



## Connections of the device

### Things to note about the connections

In installation, to make the mounting and demounting for service easier, it is recommended to leave some extra length of loose cables and fuel line by creating a coil. If the installation location is cramped, it is recommended to connect the cables and the fuel line to the device before mounting the unit to bracket. This will help the installation of device.



In a metal-hulled boat, you must ensure that the device, the flue gas lead-through, the fuel connection, the control panel, and all other parts are insulated from the boat's hull. This must be done to:

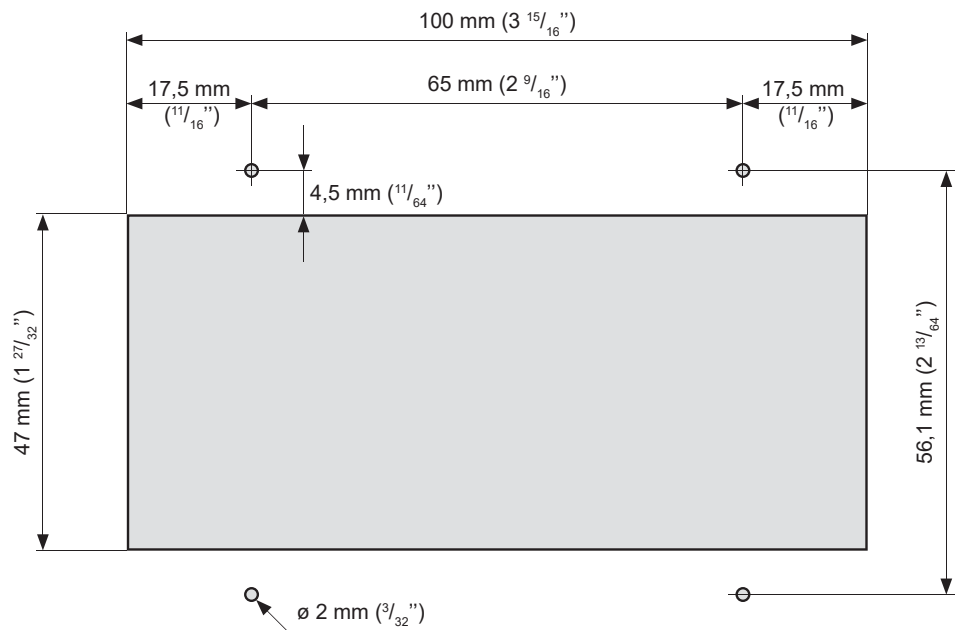
- prevent electrochemical corrosion
- prevent voltage from being transmitted from the hull to the device or vice versa during electrical faults.
- accessory code 2461

**Control panel installation**

Cut a suitable installation hole for the control panel in the selected location. Try to install the panel in a vertical surface in a location that will remain dry.



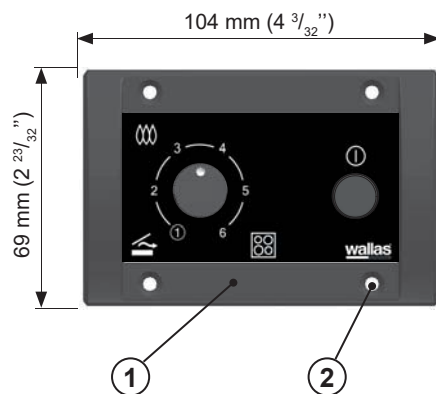
The thermostat sensor is in the panel face, so select the location with thermostatic operation/regulation in mind. Do not install close to heat source or close to a window or door. Avoid locations that might be contacted by direct sunlight. The length of the control panel cable is 3 m.



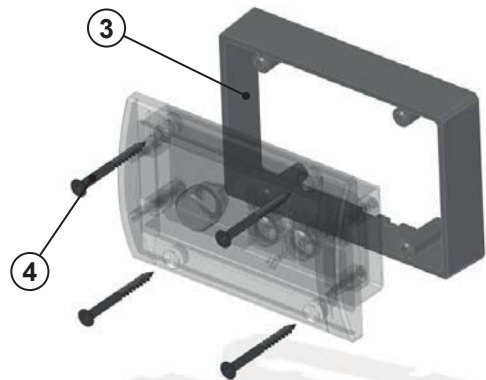
Measurements of the control panel installation cut-out. If necessary, predrill holes for the  $\varnothing$  2 mm (3/32") screws.



You can utilize the sample of the box when drawing the lines of the installation hole.



Connect the control panel cable from the device to the control panel (1). Use the fastening screws to install the control panel to the installation cut-out (2).



An extension collar (3) is used when control panel is surface mounted. The box of the panel includes 4 pcs screws 3,5 x 40mm (black) TX10 (4).