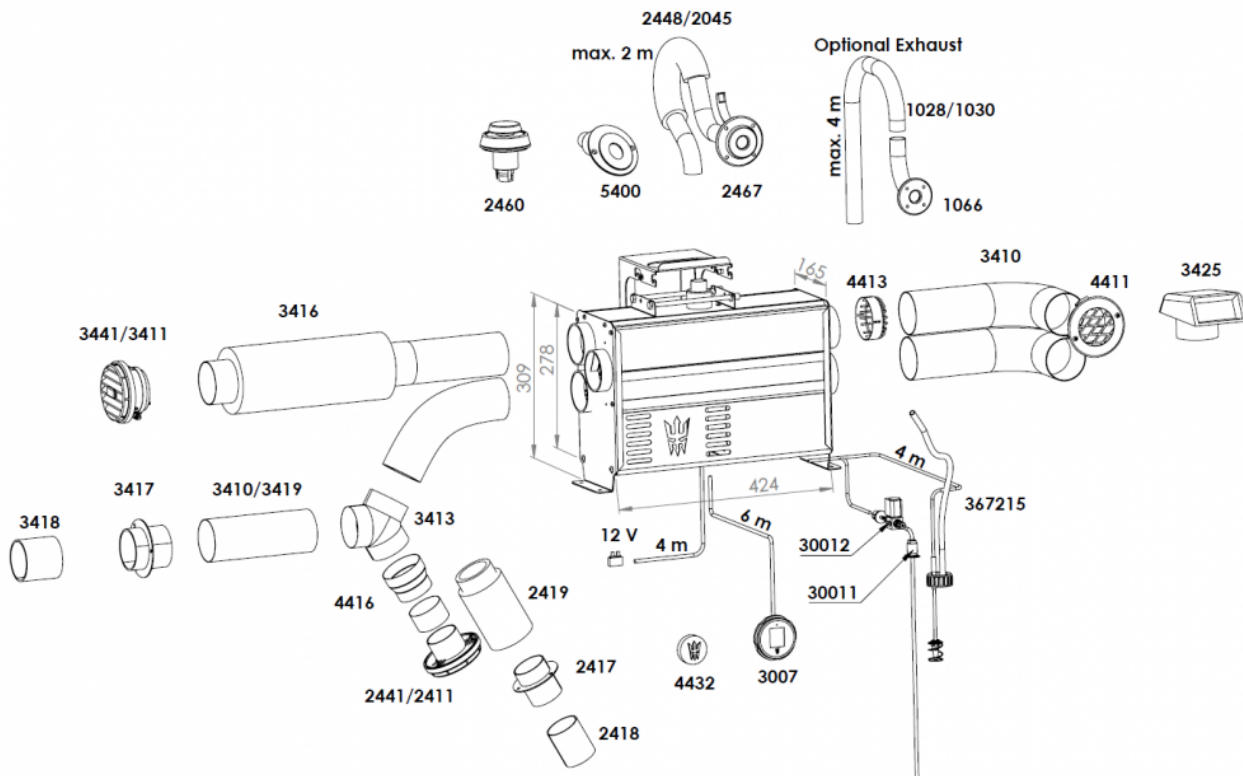


## Accessories and measures



- 2467 Coaxial / Dublex hull exhaust lead-through 28 / 45 mm
- 5400 Stern exhaust lead-through, 28 / 45 mm
- 2448 Coaxial / Dublex Exhaust hose 28 / 45 mm
- 1066 Single hull lead-through 28 mm
- 1028 Single exhaust hose 28 mm
- 1030 Single exhaust insulation sock 30 mm
- 3410 Warm air duct  $\varnothing$  75 mm
- 3419 Insulated warm air duct 75 mm
- 2460 Sealable deck lead-through
- 3416 Silencer
- 30012 Magnetic valve 12V/0,5 A
- 30011 Tank fitting / diesel
- 367215 Tank feed through, diesel
- 3413 Warm air 3-way divider 75 mm
- 3411 Warm air ventilation grill  $\varnothing$  75 mm
- 3441 Warm air ventilation grill  $\varnothing$  75 mm, white
- 3417 Bulkhead lead through 75 mm
- 3418 Duct extension 75 mm
- 4414 Duct adapter  $\varnothing$  60/75 mm
- 2419 Insulated warm air duct d 60 mm
- 2410 Warm air duct, 60 mm
- 4431 GSM/GPRS Remote control system
- 2441 Warm air ventilation  $\varnothing$  60 mm, white
- 2411 Warm air ventilation  $\varnothing$  60 mm
- 2417 Bulkhead lead through 60 mm
- 3007 Advanced control panel for XP400
- 3425 Water protected inlet grill 75mm
- 4413 inlet grill 75mm
- 4411 intake grill 75mm
- 4432 Bluetooth temperature beacon