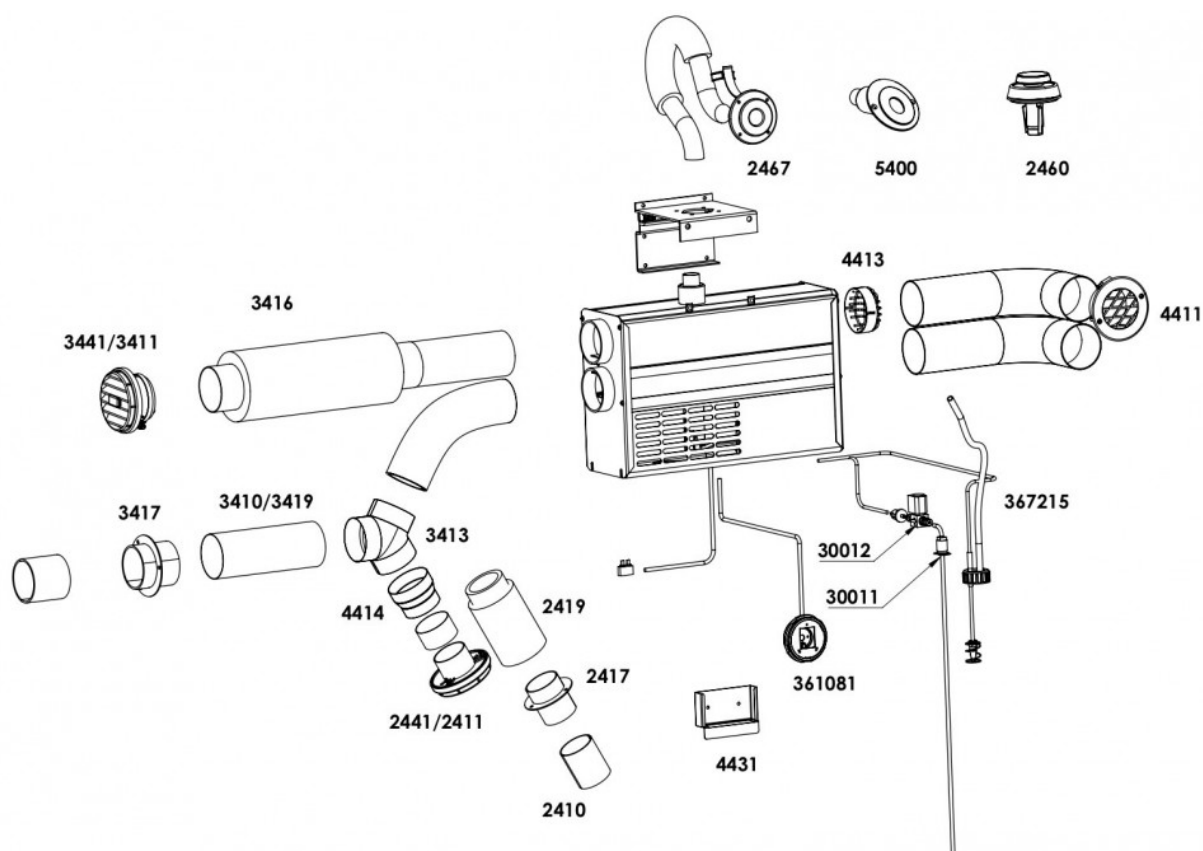


Supplies and accessories



- 2467 Hull lead-through
- 5400 Stern lead-through, 28 / 45 mm
- 2448 Exhaust
- 3410 Warm air duct \varnothing 75 mm
- 3419 Insulated warm air duct d 75 mm
- 2460 Sealable deck lead-through
- 3416 Silencer
- 30012 Magnetic valve 12V/0,5 A
- 30011 Tank fitting / diesel
- 367215 Tank feed through, diesel
- 3413 Warm air 3-way divider 75 mm
- 3411 Warm air ventilation \varnothing 75 mm
- 3441 Warm air ventilation \varnothing 75 mm, white
- 3417 Bulkhead lead through 75 mm
- 3418 Duct extension 75 mm
- 4414 Duct adapter \varnothing 60/75 mm
- 2419 Insulated warm air duct d 60 mm
- 2410 Warm air duct, 60 mm
- 4431 GSM/GPRS Remote control system
- 2441 Warm air ventilation \varnothing 60 mm, white
- 2411 Warm air ventilation \varnothing 60 mm
- 2417 Bulkhead lead through 60 mm
- 361081 Advanced control panel for XP400